

MUS The multi-use stove.

Production: Simple to produce

- By hand by local tinsmith or craftsmen
- By mechanical workshops.
- By mass-production

Practical use

- As a two blaze household cooking stove
- Easy to move the pan for simmering
- As a energy unit for huge pan cooking at institutional kitchen.(more units together)
- As a room and water-heater
- For grilling and camping
- Rescue stove and refugee camps

Fuel (Simple adjustment to type of fuel, less dense fuel need a bigger volume)

- Pellets..10cm x 14 x 15-50 cm hwl
- Chopped wood. (size depend of type)
- Woodchips. (size depend of type)
- Briquettes (size depend of type)
- Wood-sticks (size depend of type)

Advantages

- Fuel conserving, fuel-consumption easy to adjust to need of energy
- Possible to refill.
- The two blazes cooking, makes it easy to make a meal on one filling
- Same unit .for household and institutional cooking
- Smokeless and clean burning. No soot (depend a bit on type of fuel)
- The pot will come closer to the glowing charcoal for longer simmering
- Easy to empty the ashes and leftover char

The multi-stove is not jet official tested for emission, soot and tar, but looks promising. The stove needs more testing and some design is needed before the final product is ready for production.

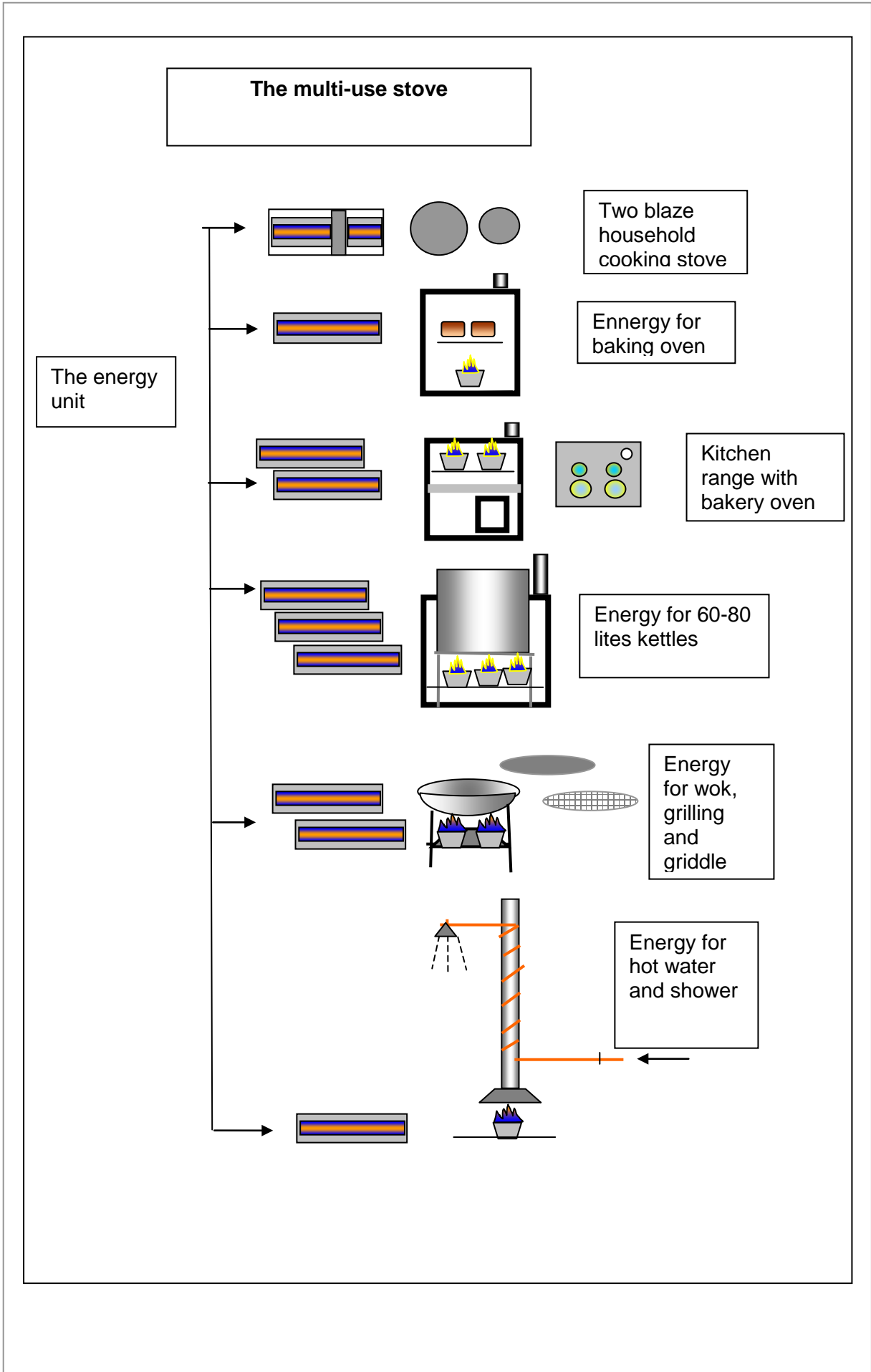
Practical stove tests carried out by PW 01.2010

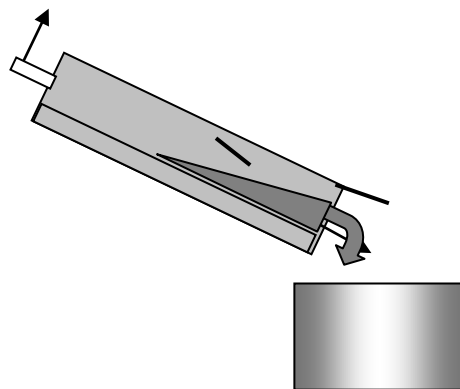
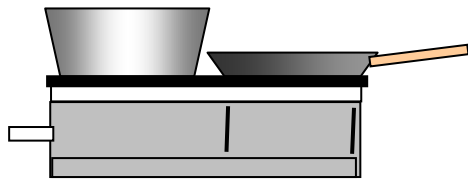
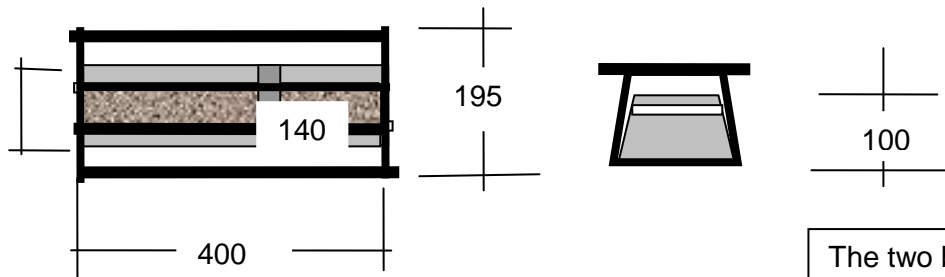
Type of Stove	Type of fuel	Quantity	Minutes to boil 5 litre of water	Time of boiling ca	Time with flame ca
Peko Pe 5L	Chopped wood	1000 gr	24 minutes	25 minutes	50 minutes
Peko Pe 3L	Pellets	1000 gr	30 minutes	40 minutes	65 minutes
MUS15	Pellets	500gr	32 minutes	17 minutes	60 minutes
MUS 40	Pellets	1000 gr	30 minutes	90 minutes	2 hours

Type of stove	Type of fuel	Minutes of cooking temperature	Time to boil 1 litre	Time to boil 3litre	Time to frying
MUS 40	pellets	1:30 minutes	5 minutes	13 minutes	50 minutes
MUS 40	Chopped wood	55 minutes	6 minutes	15 minutes	50 minutes

Water-temperature for 5 litres tests 18 -98 °C for 1litres test 13- 98°C

Time-consumption can differ depending a bit on the use of one or two blaze at the same time..

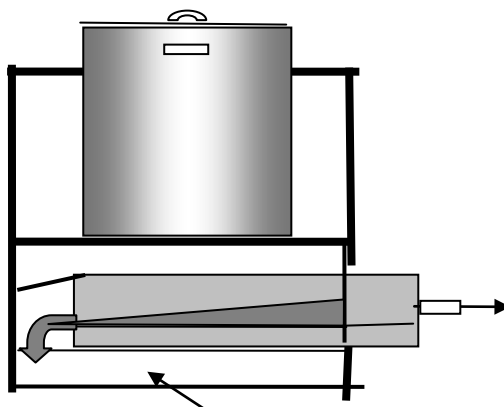




Ashtray or bucket

The two blaze household cooking stove

By tipping the ashes will be removed from the end of the unit



Ash-bin

By the institutional kitchen stove, the ash will be removed from the energy unit . when pulling out the unit for filling

The multi-use stove

30/07/2009

Paal Wendelbo

paaw@online.no



The household –stove
One or two blaze



1 kg pellets will be
burning 70 minutes
500 gr c
hopped wood burning
40minutes, by topping
up a bit longer

Also wood stick will
do as fuel, feeding
from the end.



The twoblaze
household stove can
ven be used for grilling



Two energy units sufficient
for 20 litre
Three unit for 30-60 litres

The multi-use stove

30/07/2009

Paal Wendelbo

paaw@online.no